

EWAKE

GREED FOR SPEED

THE FASTEST AND SMALLEST ELECTRIC JET BOARD ON THE MARKET

THE MORE IN EVERY BOARD -
We combine technology, experience
and passion to create extraordinary
e-jetboards



2025

www.ewake-boards.com



Hello there,

We are EWAKE GERMANY, a manufacturer of electric Jetboards.

All our boards are made in Germany with a unique and exclusive constructed shape and noble design, made out of high-quality materials.

We are passionate Jetboard Riders and our purpose is to offer remarkable products that inspire people to have fun on the water, while we innovate for the good of cleaner and quieter watersports.

Your Ewake Team

OUR BOARD OUR IDENTITY



MORE TECHNOLOGY

MORE DESIGN

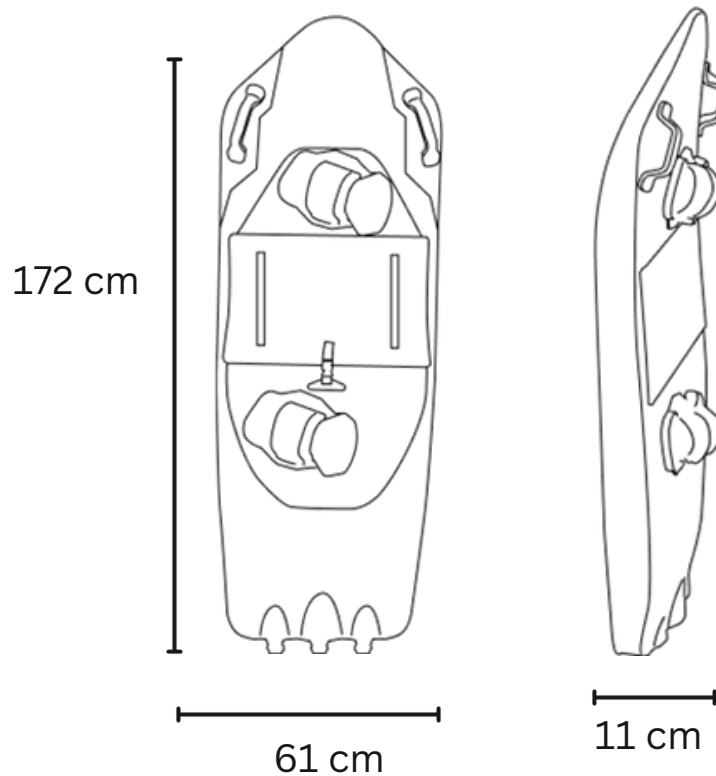
MORE PRECISION

MORE SUSTAINABILITY

MORE SPEED

MORE FUN

EWAKE PRO SPARK3S PRO

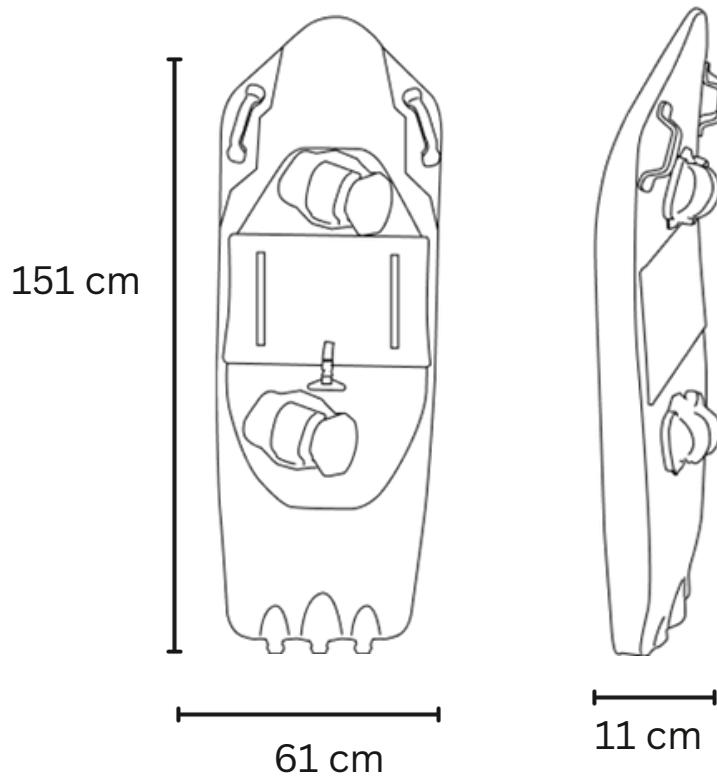


OVERVIEW SPECS

FRAME/SPECIAL STRENGTH	Light Carbon
WEIGHT IN KG (BOARD/BATTERY)	19.3 KG / 16.9 KG
NUMBER OF MOTORS/JETS	3
POWER DRIVER	15 kW (21 hp)
CHARACTERISTICS	Sporty Cruising Allround/advanced Best for boats/yachts, Rivers, Lakes
BOARD SHAPE	
RANGE OF USE	Beginners/Skilled, Easy handling Yes/ Yes
RIDING ABILITY	(2-jet limping)
BATTERY INDICATOR/RESERVE FUNCTION	42 Ah or 52 Ah
BATTERY CAPACITY/DRIVING TIME	Approx. 25/40 mins Handheld Wireless
THROTTLE/ SAFETY	Wireless Handheld/emergency stop leash

EWAKE RACE

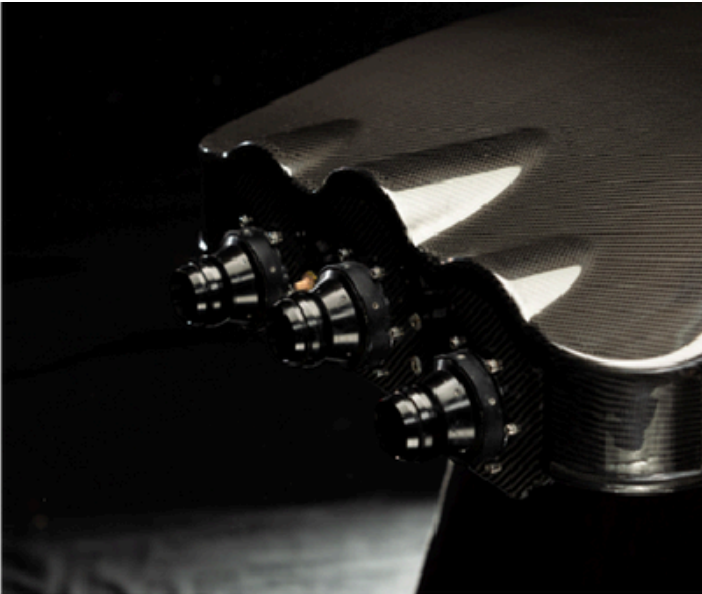
SPARK3S RACE



OVERVIEW

SPECS

FRAME/SPECIAL STRENGTH	Light Carbon
WEIGHT IN KG (BOARD/BATTERY)	19.3 KG / 18 KG
NUMBER OF MOTORS/JETS	3
POWER DRIVER	15 kW (21 hp)
CHARACTERISTICS	Sporty Slalom/ Freeride
BOARD SHAPE	Slalom short
RANGE OF USE	Best for boats/yachts, Rivers, Lakes, coastal waters
RIDING ABILITY	Skilled, Easy handling
BATTERY INDICATOR/RESERVE FUNCTION	Yes/ Yes (2-jet limping)
BATTERY CAPACITY/DRIVING TIME	42 Ah / Approx. 25 mins
THROTTLE/ SAFETY	Wireless Handheld/emergency stop leash



FORMULA 1 TECHNOLOGY

BY NICO ROSBERG



Our Carbon hull is manufactured at the TRE Team Nico Rosberg in Neustadt, Germany

Precise curve characteristics.
form function and design.

Board Weight.
app. 19.3 kg

Slim rail-shape.
Low splash water formation
and good sliding behavior.
Board Width 0.61m

BEST YACHT HANDLING

EASY OPERATION ON BOARD



Manufactured specifically with yachts in mind, the board designs easy to handle.

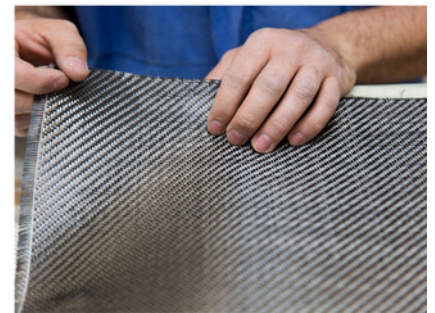
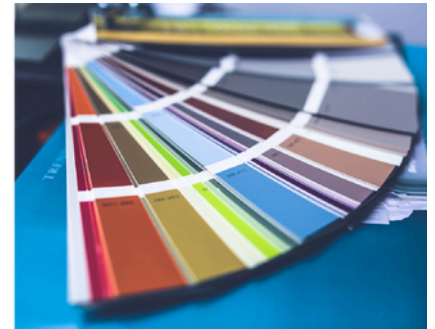
Easy Handling.

Patented in-water battery replacement function

- **Patented Battery-in-Water Plugin:** Allows fast, tool-free battery changes directly **in water**, no need to take board out of water.
- **Easy Slide-In and Out Mechanism:** Streamlined for simple handling, making battery swaps quick and convenient.
- **IP69 Waterproof Rating:** Fully shields the battery from water damage in all marine conditions.
- **High-Quality Sony Murata Cells:** Ensures lasting durability and reliable, high-performance output.

CUSTOM DESIGN

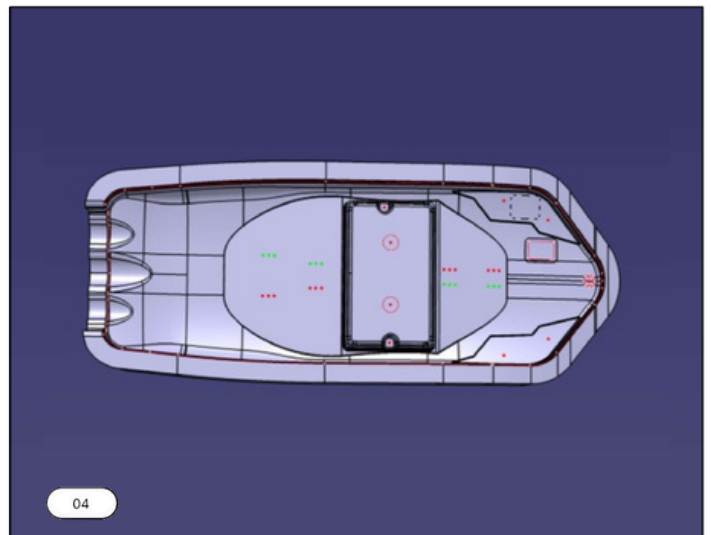
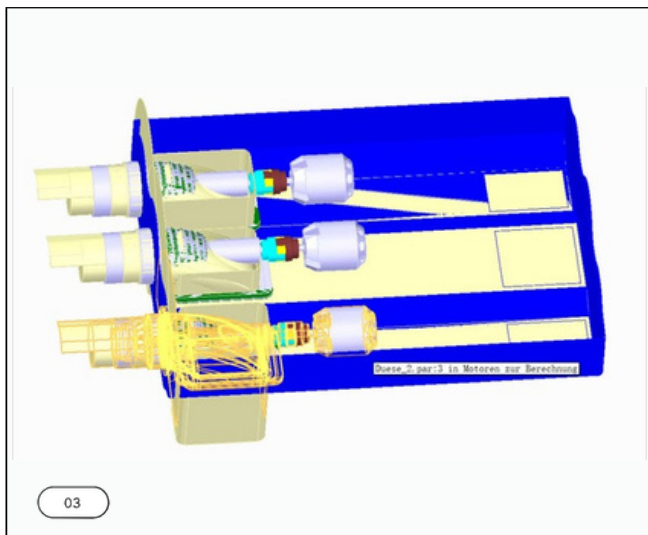
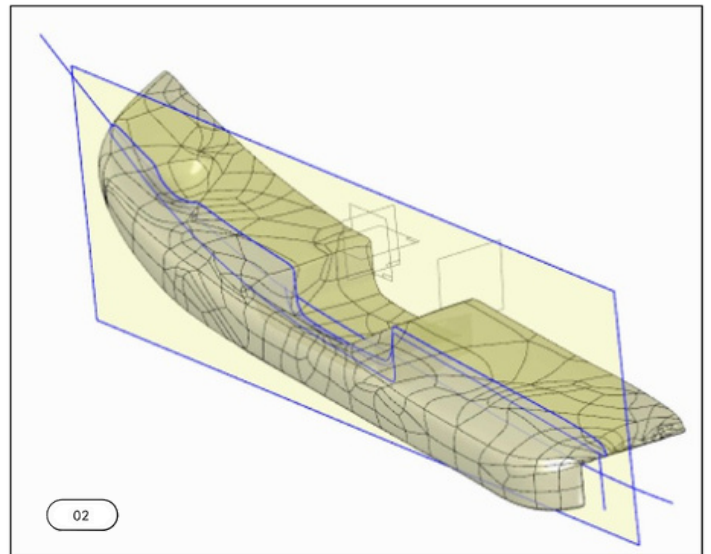
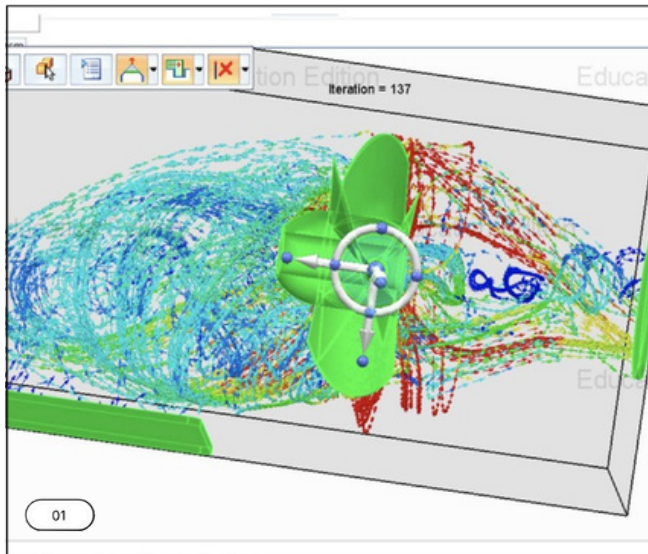
ENDLESS DESIGN FEATURES



The board designs are fully customizable, from many options of carbon, lack and wood design.

Handmade in Germany Customizable carbon and wood design Online 3D configurator coming soon

SIEMENS DIGITAL INDUSTRIES SOFTWARE PERFORMANCE WITH MAX. OUTCOME



We've partnered with »Siemens Digital Industries Software« to generate the best performance with maximum outcome.

- 01 BUILDING UP - DEFINING ROTATION & FLOW
- 02 CAD SOLID EDGE
- 03 STRUCTURE OF 3 JET-POWER-BOX
- 04 SOFTWARE-INTERFACES

OUR TEAM OUR VISION



PETER RUWE
CEO



MANUEL SCHÜBEL
COMPOSITE SPECIALIST



WALTER MACIUGA
CONSTRUCTION / CAD-DESIGN



ARIAN-LEONIDIS PAPAARMESIS
SHAPER



MATTHIAS MUMM
SALES



ELLA WIGELMAN
MARKETING



EWAKE BOARD GERMANY GMBH
Cecil-Taylor-Ring 12-18
Units 71/72
68309 Mannheim
Germany



Connect with us:



@ewakegermany



@ewakegermanygmbh



www.ewake-boards.com

PRICE LIST

RACE 1,51 M

Board	1,51 Race		
Article No.	PBR24-1151C	PBR24-1151CW	PBR24-1151CWG
Base Price, Nett. no battery	9,500.00 €	9,500.00 €	9,500.00 €
Battery	920.00 €	920.00 €	920.00 €
Design Wood		520.00 €	
Design: Wood and Engraving			630.00 €
Design option: Gold and Forged Carbon			2,800.00 €
Total ex. VAT and customs	10,420.00 €	10,940.00 €	13,850.00 €

- Shipping within EU costs 458 Eur

Battery: The Board comes with 2,2 kWh battery and provides up to 300 Watts to the engines.

There are 2 variants: one with 7.5 kW and one with 15 kW power.

We offer 2 types batteries: Li-Ionen or One LiFePh4 (Iron-Phosphate)

Order you sample kit today online

PRICE LIST

SPARK 1,72M

Board	1,72 Spark			
Article No.	<i>PBS24-1171C</i>	<i>PBS24-1171CW</i>	<i>PBS24-1171CW</i>	<i>PBS24-1171C</i>
Base Price, Nett. no battery	8,998.00 €	8,998.00 €	8,998.00 €	8,998.00 €
Battery	1,000.00 €	1,000.00 €	1,000.00 €	1,000.00 €
Design: Wood		520.00 €		
Design: Wood and Engraving			630.00 €	
Design option: Gold and Forged Carbon				2,800.00 €
Total ex. VAT and customs	9,998.00 €	10,518.00 €	10,628.00 €	12,798.00 €

- Shipping within EU costs 458 Eur

Battery: The Board comes with 2,2 kWh battery and provides up to 300 Watts to the engines.

There are 2 variants: one with 7.5 kW and one with 15 kW power.

We offer 2 types batteries: Li-Ionen or One LiFePh4 (Iron-Phosphate)

PRICE LIST

Accessories

Article No.	Name	Price Nett.	Price incl. 19% VAT
10-001	Battery Case	1,260 €	1,499 €
10-002	Replacement Battery Race	920 €	1,095 €
10-003	Replacement Battery Medium	1,000 €	1,190 €
10-004	Replacement Battery Large	1,150 €	1,369 €
10-005	Charger 15 A	799 €	951 €
10-006	Charger 30A	920 €	1,095 €
10-007	Hand-Controller	70 €	83 €
10-008	Ratchet Binding	180 €	214 €
E20-001	Impeller	148 €	176 €